

VARIA™ UT800

Owner's Manual

© 2017 Garmin Ltd. or its subsidiaries

All rights reserved. Under the copyright laws, this manual may not be copied, in whole or in part, without the written consent of Garmin. Garmin reserves the right to change or improve its products and to make changes in the content of this manual without obligation to notify any person or organization of such changes or improvements. Go to www.garmin.com for current updates and supplemental information concerning the use of this product.

Garmin®, the Garmin logo, ANT+®, and Edge® are trademarks of Garmin Ltd. or its subsidiaries, registered in the USA and other countries. Garmin Connect™, Garmin Express™, and Varia™ are trademarks of Garmin Ltd. or its subsidiaries. These trademarks may not be used without the express permission of Garmin.

This product is ANT+® certified. Visit www.thisisant.com/directory for a list of compatible products and apps.

M/N: A03086

Table of Contents

Introduction	1
Installing the Out-Front Mount.....	1
Installing the Helmet Mount.....	1
Device Overview.....	2
Turning On the Device.....	2
Bike Light Status LEDs.....	2
Device Settings	2
Pairing Your Bike Light with Your Edge 830 or 1030.....	2
Customizing Headlight Settings with Your Edge Device.....	3
Automatic Beam Intensity.....	3
Device Information	3
Specifications.....	3
Charging the Device.....	4
Tips for Charging the Device.....	4
Device Care.....	4
Troubleshooting	4
Resetting the Device.....	4
Thermal Safety Shutdown.....	4
Low Temperature Battery Conservation.....	4
Updating the Headlight Software With Your Edge Device.....	4
Product Updates.....	4
Getting More Information.....	4
Other Compatible Devices	4
Pairing Your Bike Light with Another Edge Device.....	4
Pairing the Remote with Your Varia Device.....	5
Index	6

Introduction

WARNING

See the *Important Safety and Product Information* guide in the product box for product warnings and other important information.

The device is intended for outdoor use. Without proper airflow during use, the device may become hot. Handle with care.

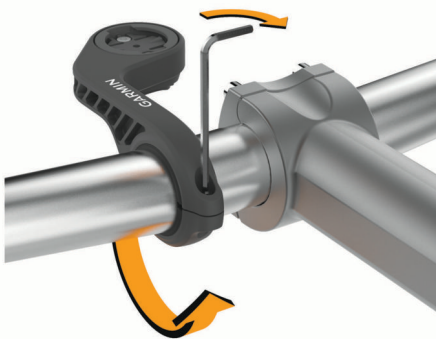
Installing the Out-Front Mount

You can use the out-front mount to install the headlight and your Edge® device. Garmin recommends that you adjust the mount for the Edge viewing angle before you install and adjust the headlight angle.

- 1 Select a secure location to mount the Edge device and headlight where they do not interfere with the safe operation of your bike.
- 2 Use the 2.5 mm hex key to remove the screw ① from the handlebar connector ②.



- 3 If necessary, remove the two screws on the top of the mount ③, rotate the connector, and replace the screws to change the orientation of the mount for an Edge device.
- 4 Place a rubber pad around the handlebar:
 - If the handlebar diameter is 25.4 mm, use the thicker pad.
 - If the handlebar diameter is 31.8 mm, use the thinner pad.
- 5 Place the handlebar connector around the rubber pad.
NOTE: You should align the contours on the rubber pad with the grooves on the inside of the handlebar connector.
- 6 Replace the screw, and use the 2.5 mm hex key to tighten the screw.
NOTE: You should check the tightness of the screw periodically.



- 7 Install the Edge device, and adjust the mount (optional).
- 8 Connect the quarter-turn adapter ④ to the headlight.



- 9 Insert the screw ⑤, and hand tighten.



- 10 Align the notches of the quarter-turn adapter with the tabs on the bottom of the mount.
- 11 Press up slightly, and turn the adapter counterclockwise until it locks into place.



- 12 Adjust the headlight angle so it is parallel to the road, and use the 4 mm hex key to tighten the screw.



NOTE: You should check the tightness of the screw periodically.

Installing the Helmet Mount

- 1 Select a secure location to mount the headlight where it does not interfere with the safety and comfort of your helmet.
- 2 Attach the mount using both straps.
- 3 Lock the straps by pressing down the clasp.



4 Connect the adapter ① to the headlight.



5 Insert the screw ②, and hand tighten.
6 Align the tabs on the adapter with the notches of the mount.



The lever ③ must be in the open position.

7 Insert the device into the mount.
8 Snap the lever to the closed position to lock the device into the mount.
The lever must be flush with the base.
9 Adjust the headlight angle, and use the 4 mm hex key to tighten the screw.
NOTE: You should check the tightness of the screw periodically.

Device Overview



① Device key	Hold for 1 sec. to turn the device on. Hold for 2 sec. to turn the device off. Hold to enter pairing mode (<i>Pairing Your Bike Light with Your Edge 830 or 1030, page 2</i>). Select to change operating modes.
② Status LED	View device status (<i>Bike Light Status LEDs, page 2</i>).

Turning On the Device

1 Hold the device key for 1 second.

The first time you turn on the device, it enters pairing mode. The status LED flashes purple. The device can be paired with a wireless remote or Edge device.

2 Hold the device key for 2 seconds to turn off the device. The next time you turn on the device, it is in high intensity mode.

Bike Light Status LEDs

LED Activity	Status
Solid red	An error occurred while charging, or the device shut down to prevent overheating.
Flashing red	The battery is low.
Flashing green	The battery is charging.
Solid green	Charging is complete.
Flashing blue	The device is in smart mode and can be controlled by a paired wireless remote or Edge device.
Flashing purple	The device is in pairing mode.
Alternating blue and green	The device is uploading software.

Device Settings

You can remotely control your Varia devices and customize settings using your compatible Edge device. This section contains instructions for the Edge 830 and 1030 devices. Other compatible Edge devices use similar settings.

Pairing Your Bike Light with Your Edge 830 or 1030

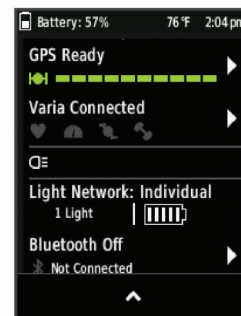
- Bring the Edge device within range (1 m) of the sensor.
NOTE: Stay 10 m (33 ft.) away from other ANT+® bike lights while pairing.
- Turn on the Edge device.
- Select **≡ > Sensors > Add Sensor > Search All**.
- While the headlight is turned off, hold the Varia device key for 2 seconds to enter pairing mode.
The status LED flashes purple, and the headlight turns on. The device is in pairing mode for 5 minutes or until you press the device key.
- Select your sensor.

When the sensor is paired with your Edge device, the status icon appears solid on the connections screen.

Viewing the Connections Screen

The connections screen displays the status of the GPS, ANT+ sensors, and wireless connections.

From the home screen or a data screen, swipe down from the top of the screen.



The connections screen appears. A flashing icon means the device is searching.

Customizing Headlight Settings with Your Edge Device

Before you can customize Varia device settings with your Edge device, you must pair the devices (*Pairing Your Bike Light with Your Edge 830 or 1030, page 2*).

- 1 From the **Sensors** menu, select **Lights**.
- 2 Select an option:
 - Select **Enable** to enable the light network.
 - Select **Network Options > Light Mode** to set the light intensity mode for all lights in your network (*Light Mode Settings, page 3*).
 - Select **Network Options > Light Beam Activated** to turn on the headlight automatically when the timer starts or when the Edge device turns on.
 - Select **Network Options > Test Lights** to check that each light in your network is set up correctly (*Testing the Light Network, page 3*).
 - Select **Network Options > Auto Beam Adjustment** to adjust the headlight intensity automatically based on the rate of speed. A high intensity is used at high speeds, and a low intensity is used at low speeds.
 - Select a light to view device information and customize each light in your network (*Light Network Settings, page 3*).

Light Mode Settings

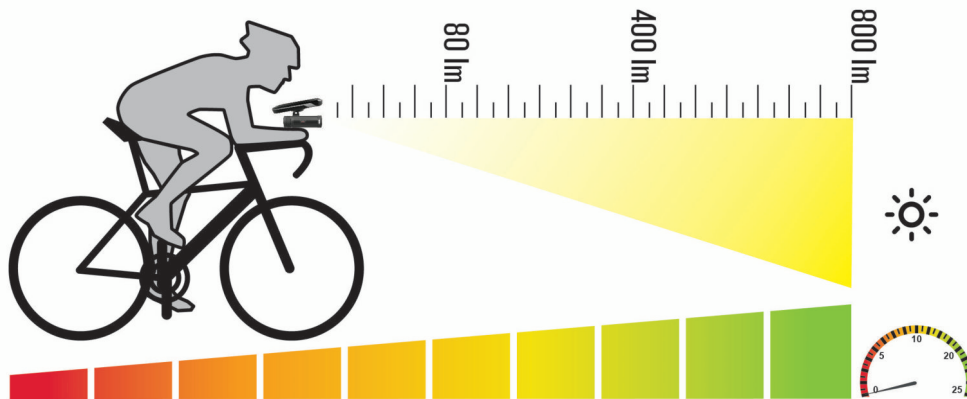
From the **Sensors** menu, select **Lights > Network Options > Light Mode**.

Auto: Automatically adjusts the light intensity and light mode based on the ambient light and time of day. This mode is recommended for commuting or road rides.

Automatic Beam Intensity

When paired with a compatible Edge device, the headlight can adjust automatically based on the current lighting conditions, sunrise and sunset information, and speed.

As your speed increases, the headlight shines brighter. At lower speeds, the light intensity is reduced to maximize battery life.



Device Information

Specifications

Battery type	Rechargeable, built-in lithium-ion battery
Battery life	Up to 1 yr. in standby mode See <i>Headlight Light Intensity Modes and Battery Life, page 3</i>
Operating temperature range	From -15° to 50°C (from 5° to 122°F)
Charging temperature range	From 0° to 45°C (from 32° to 113°F)
Wireless frequency	2.4 GHz @ 3 dBm nominal

LED luminous flux	100 to 800 lm
Water rating	IEC 60529 IPX7 ¹

Headlight Light Intensity Modes and Battery Life

Intensity Mode	LED Luminous Flux	Battery Life
High	800 lm	Up to 1.5 hr.
Medium	400 lm	Up to 3 hr.
Low	200 lm	Up to 6 hr.
Night flash	100 to 300 lm	Up to 6 hr.
Day flash	700 lm	Up to 25 hr.

¹ The device withstands incidental exposure to water of up to 1 m for up to 30 min. For more information, go to www.garmin.com/waterrating.

Charging the Device

⚠ WARNING

This device contains a lithium-ion battery. See the *Important Safety and Product Information* guide in the product box for product warnings and other important information.

NOTICE

To prevent corrosion, thoroughly dry the USB port, the weather cap, and the surrounding area before charging or connecting to a computer.

NOTE: The device does not charge when outside the approved temperature range (*Specifications, page 3*).

- 1 Pull up the weather cap from the USB port.



- 2 Plug the small end of the USB cable into the USB port on the device.
- 3 Plug the large end of the USB cable into a power source, such as a USB wall charger or a computer USB port.
- 4 Charge the device completely.

The status LED flashes green while charging. The status LED is solid green when charging is complete.

Tips for Charging the Device

- Connect the charger securely to the device.
You can charge the device by plugging the USB cable into a Garmin approved AC adapter with a standard wall outlet or a USB port on your computer. Charging a fully depleted battery takes about 6 hours using a computer and 4 hours using an AC power source.
- Remove the charger from the device when the status LED is solid green.
- View the remaining battery life (▣▣▣) on your Edge device connections screen (*Viewing the Connections Screen, page 2*).

Device Care

NOTICE

Do not store the device where prolonged exposure to extreme temperatures can occur, because it can cause permanent damage.

Avoid chemical cleaners, solvents, and insect repellents that can damage plastic components and finishes.

Cleaning the Device

- 1 Wipe the device using a cloth dampened with a mild detergent solution.
- 2 Wipe it dry.

After cleaning, allow the device to dry completely.

Troubleshooting

Resetting the Device

You can reset the device if it stops responding.

- Hold the device key for 8 seconds until all the LEDs turn off.
- Resetting deletes the pairing connections from the device.

Thermal Safety Shutdown

To prevent overheating, the Varia device may turn off when operated at a high intensity in warm, stagnant air. The status LED is red until the device cools down. You should use the device outdoors.

Low Temperature Battery Conservation

To extend the battery life of the device, the Varia device is limited to medium, low, and flash modes when used in very cold temperatures.

Updating the Headlight Software With Your Edge Device

Before you can update the headlight software, you must pair the headlight with your Edge device, you must have a Garmin Connect™ account, and you must pair the Edge device with a compatible smartphone.

- 1 Bring the Edge device within 3 m (10 ft.) of the headlight.
- 2 Sync your Edge device with the Garmin Connect app.
When new software is available, your device alerts you to update the software.
- 3 Follow the on-screen instructions.

The headlight LED flashes blue and green to indicate the device is updating. When the update is complete, the LED flashes green ten times.

Product Updates

On your computer, install Garmin Express™ (www.garmin.com/express).

This provides easy access to these services for Garmin devices:

- Software updates
- Product registration

Getting More Information

- Go to support.garmin.com for additional manuals, articles, and software updates.
- Go to buy.garmin.com, or contact your Garmin dealer for information about optional accessories and replacement parts.

Other Compatible Devices

Pairing Your Bike Light with Another Edge Device

- 1 Bring the Edge device within range (1 m) of the sensor.
NOTE: Stay 10 m (33 ft.) away from other ANT+ bike lights while pairing.
- 2 Turn on the Edge device.
- 3 From the **Sensors** menu, select **Add Sensor > Search All**.
- 4 While the headlight is turned off, hold the Varia device key for 2 seconds to enter pairing mode.
The status LED flashes purple.
- 5 Select your sensor.

When the sensor is paired with your Edge device, the status icon appears solid on the connections page.

Pairing the Remote with Your Varia Device

The first time you connect the Varia remote to your Varia device, you must pair the remote with your device.

- 1 Bring the remote within 1 m (3 ft.) of the device.
NOTE: You must stay 10 m (33 ft.) away from other ANT+ sensors while pairing.
- 2 While the headlight is turned off, hold the Varia device key for 2 seconds to enter pairing mode.
The status LED flashes purple.
- 3 On the Varia remote, hold two keys simultaneously until the status LED starts alternating green and red, and release the keys.
The remote searches for your Varia device. After the remote pairs successfully, the status LED flashes green 12 times.

After the remote is paired, it connects to your device whenever the device is in range and turned on in smart mode. You may need to wake the remote by selecting any key.

Index

A

accessories 4
ANT+ sensors 2

B

battery 3, 4
 charging 4
brightness 3, 4

C

charging 4
cleaning the device 4
customizing the device 2

D

device, care 4

E

Edge 2–4

G

Garmin Express, updating software 4
GPS, signal 2

I

installing 1

K

keys 2

M

mounting the device 1

P

pairing 2, 4
 remote control 5

R

remote control, pairing 5
resetting, device 4

S

satellite signals 2
settings 3
smartphone 2
software, updating 4
specifications 3
speed 3

T

temperature 4
troubleshooting 4

